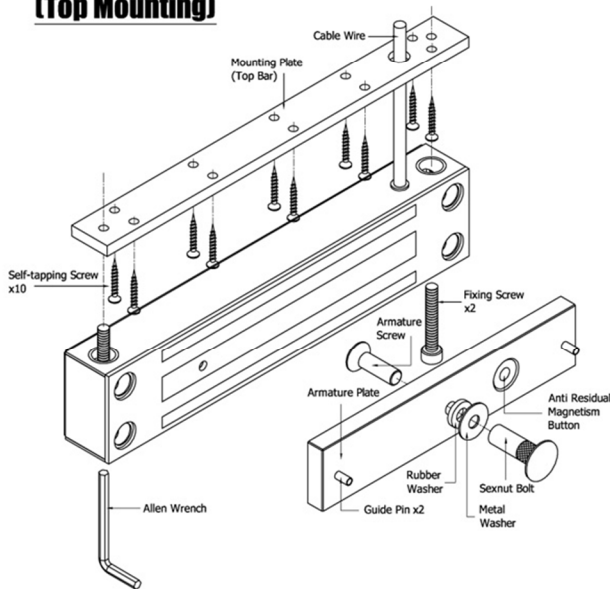


DURAGATE Electromagnetic Lock Installation User Guide (Outdoor Model)

Spec / Model	SS-400	SS-800	SS-800-G	SS-1200	SS-1200-G
Holding Force	400 lbs (182 Kg)	800 lbs (362 Kg)	800 lbs (362 Kg)	1200 lbs (545 Kg)	1200 lbs (545 Kg)
Voltage Input	12 VDC / 24 VDC	12 VDC / 24 VDC	12 VDC / 24 VDC	12 VDC / 24 VDC	12 VDC / 24 VDC
Current Draw	360 mA / 180 mA	480 mA / 240 mA	480 mA / 240 mA	420 mA / 210 mA	420 mA / 210 mA

Basic Installation Concept & Accessories (Top Mounting)

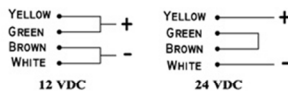


General Installation Steps & Maintenance

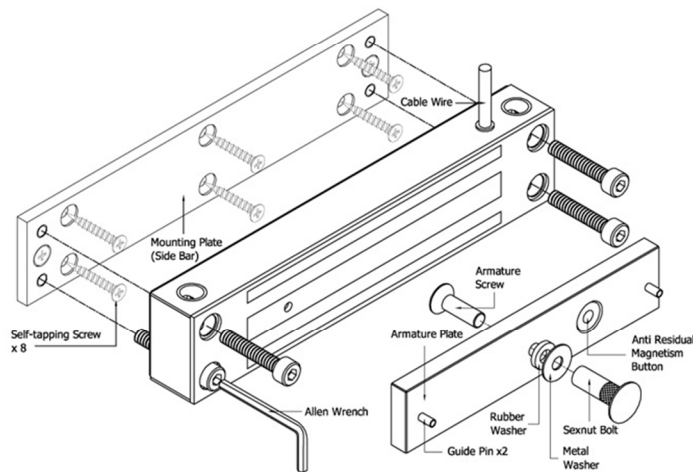
1. Drill the armature plate holes in the door using the sticker template provided.
2. Attach the armature plate to the door with the hardware provided per the illustration.
3. With the door closed, mark the door frame at the edge of the armature in order to properly align the electromagnet to the armature.
4. Attach the mounting plate to the door frame using the self-tapping screws provided. Align the mounting plate with the mark from the previous instruction.
5. Insert the wires through the hole in the mounting plate and attach the electromagnet unit to the mounting plate with the Allen head fixing screw.
6. Connect the power wires according to the instruction and test the system.
7. It is recommended that you apply a light coat of silicon lubricant to the mating surface on a monthly basis to prevent rust.

WIRING INSTRUCTIONS

IMPORTANT!
Before the power supply is switched on,
set the wiring correctly.



REED SENSOR CONTACT



Basic Installation Concept & Accessories (Side Mounting)