



ROFU® ELECTRIC STRIKE MODEL 1702

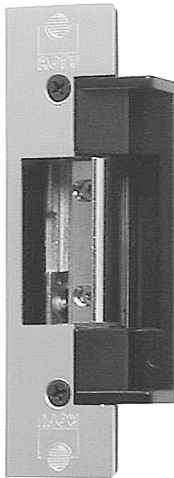
1702 - SERIES, WITH ANSI FACEPLATE 1¼" x 4⁷/₈"

MODEL 1702 — Fail - Secure (Non Fail - Safe)

Electric strikes for use with mortise and cylindrical locksets.

For Commercial and Residential, New or Retrofit Uses

Standard Features



1702
Non-Handed

- Anodized Aluminum ANSI size Faceplate
- Frame Type - Hollow Metal, Aluminum or Wood
- Corrosion - Resistant case and moving parts.
- Tamper Strength Test - 1000 lbs (454kg)
- Cycle Test 500,000 cycles
- Keeper Depth - **1/2"** Maximum Latch Projection possible with 1/8" Door/Frame Clearance - **5/8"**
- Strike Depth 1.50" Overall
- Reversible - Non Handed
- Adjustable Keeper (FAFIX)
- Limited Warranty - **36 Months**

Available in the following Voltages and Finishes:

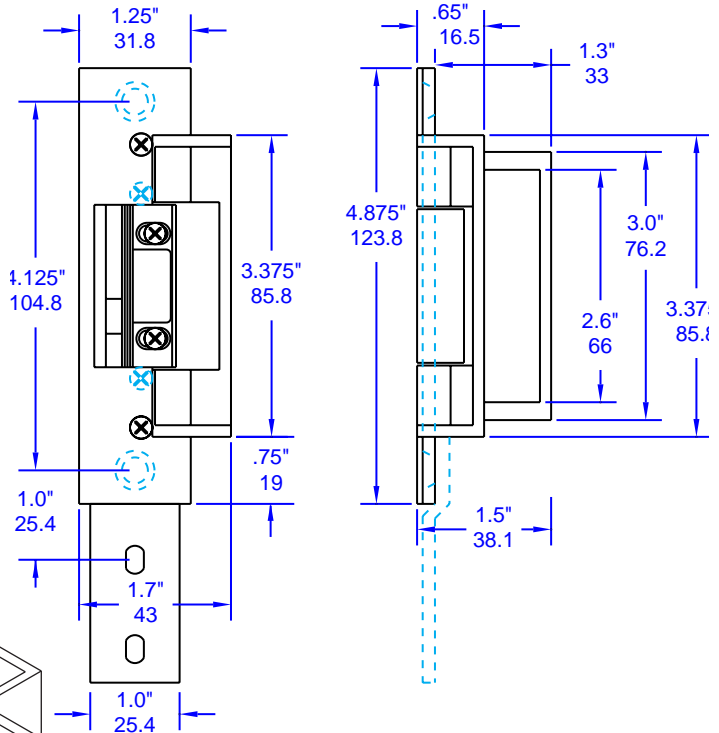
Specify Finish	xUS28, US10B or xUS4
Voltage, Fail Secure	x01=8-16VAC/3-6VDC (Intermittent Duty)
	x04=12VAC/12VDC (Intermittent Duty)
	x05=12VDC (Continuous Duty)
	x07=24VAC/24VDC (Intermittent Duty)
	x08=24VDC (Continuous Duty)
	x14=48VAC/48VDC (Intermittent Duty)

Optional Features:

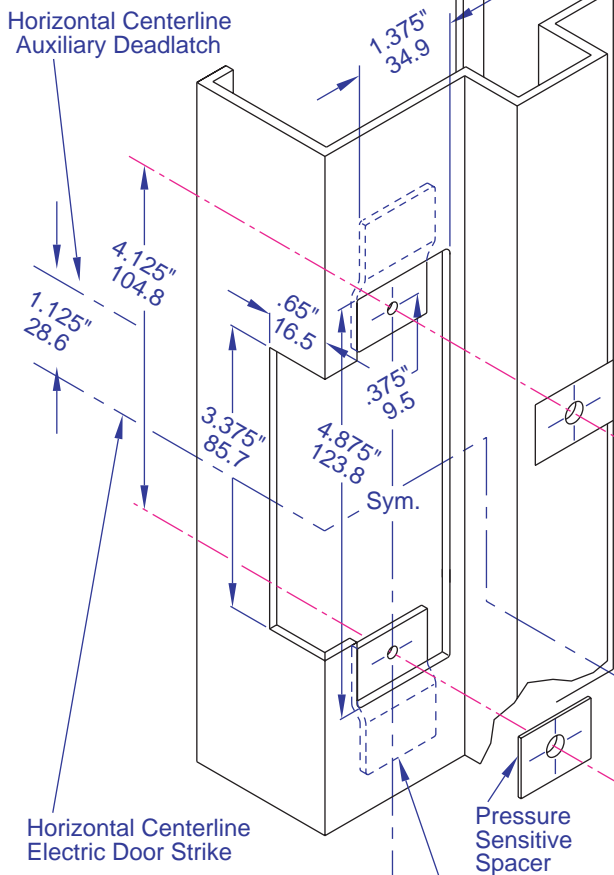
- Radius Faceplate for Aluminum Jamb, Specify "RAD."
- 2" Lip Extension, specify #10002.



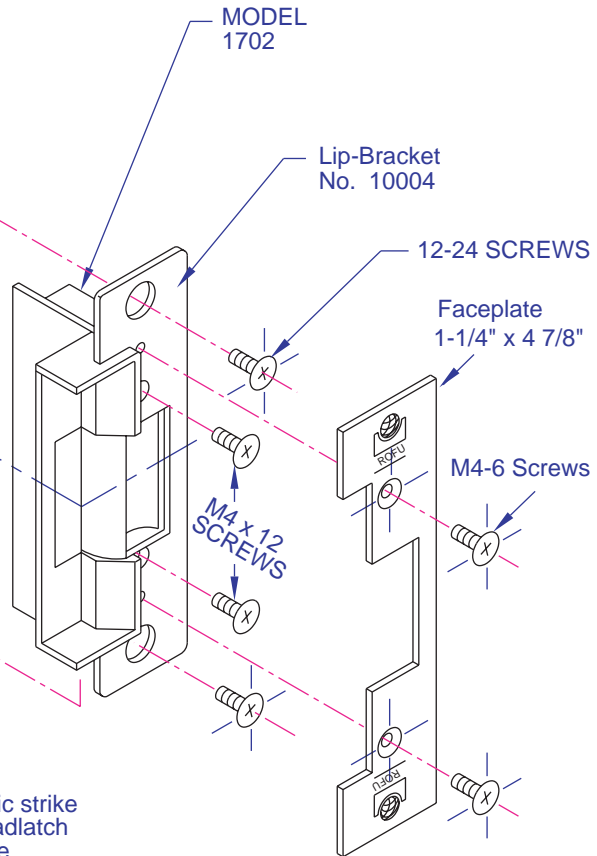
LINE ART FOR 1702



HOLLOW METAL JAMB PREPARATION



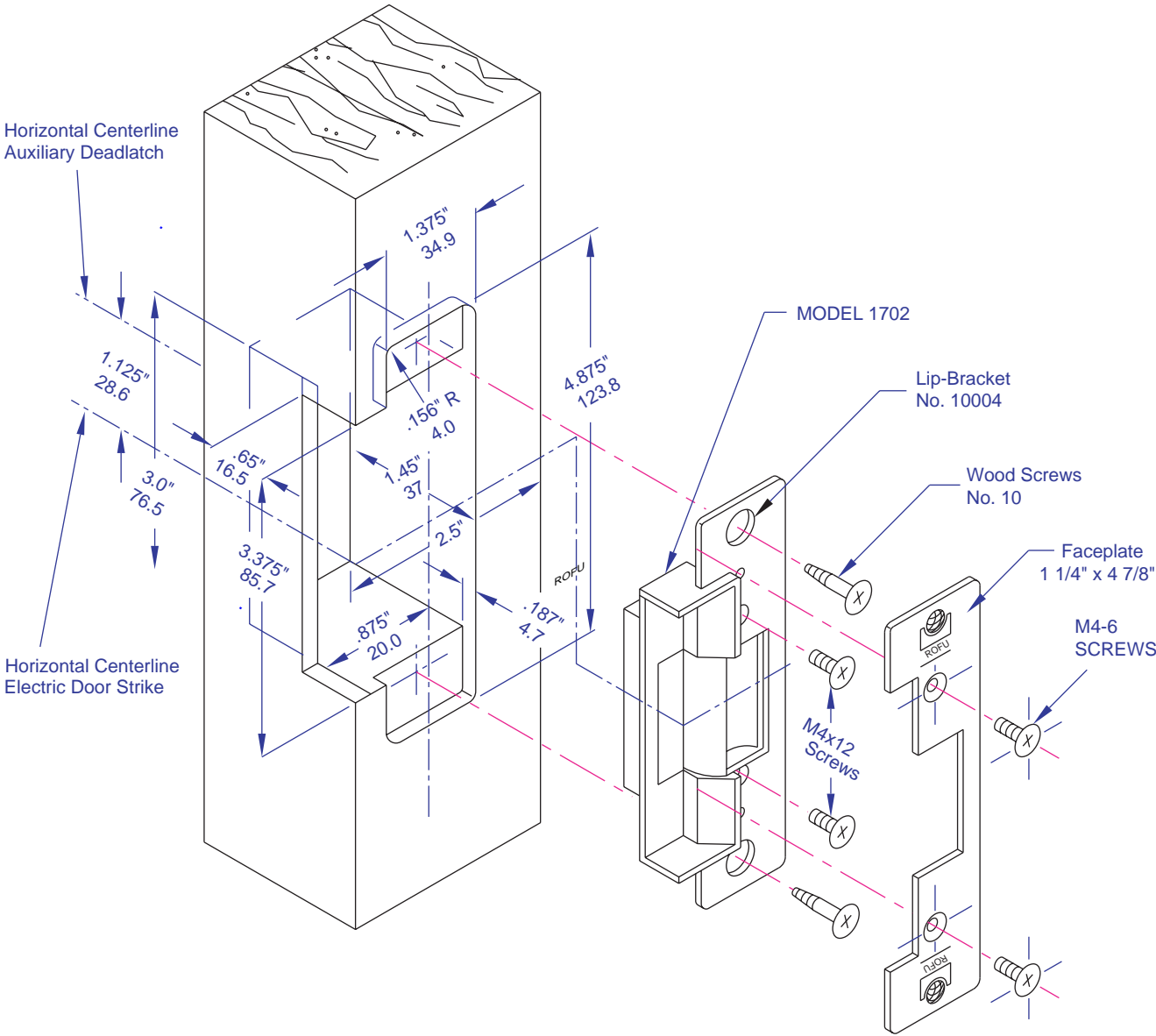
INSTALLATION



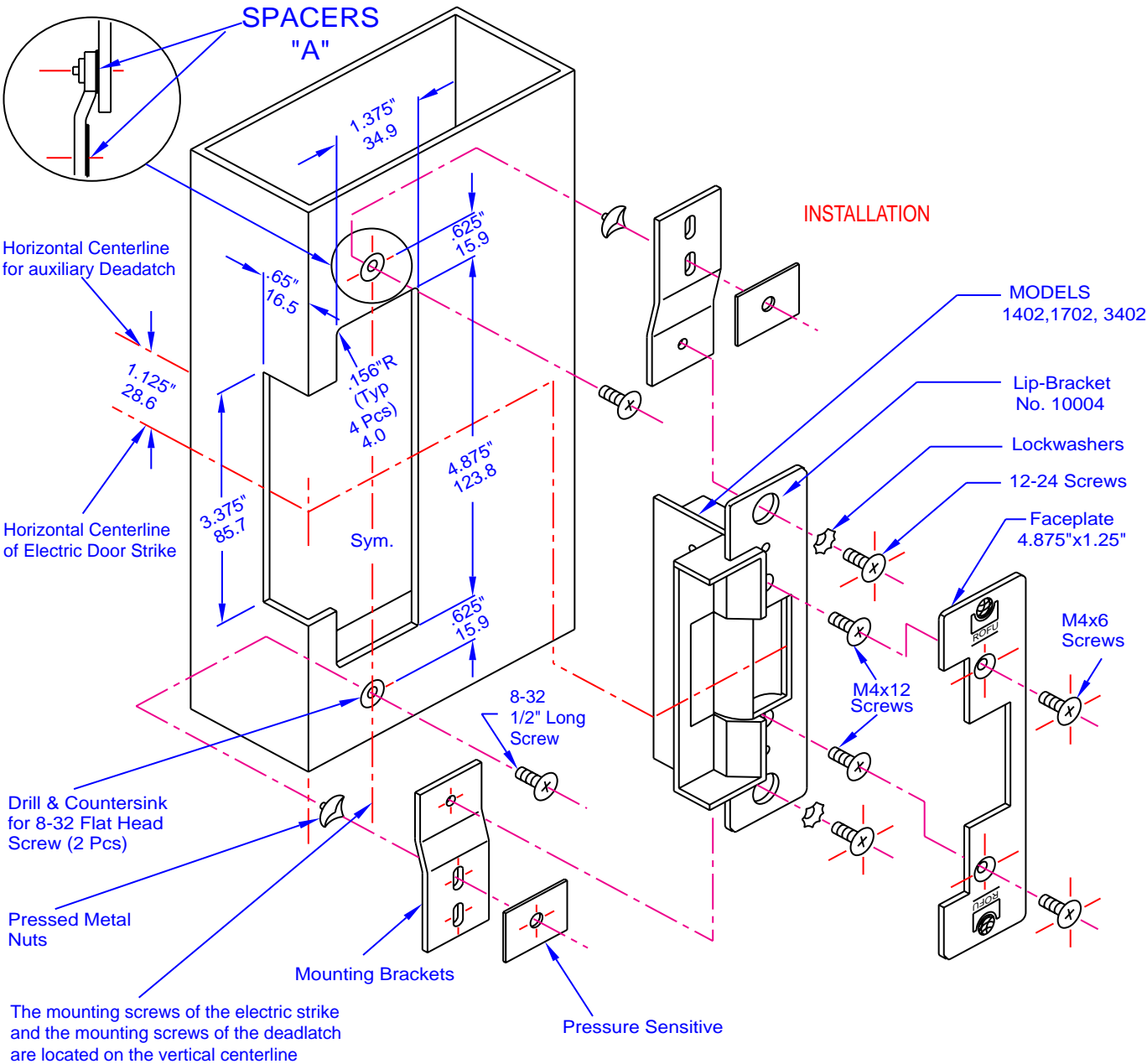
The mounting screws of the electric strike and the mounting screws of the deadlatch are located on the vertical centerline.



**WOOD JAMB PREPARATION
MODELS 1702**



**ALUMINUM JAMB PREPARATION
MODELS 1402, 3402 AND 1702**



**RADIUSED ALUMINUM JAMB PREPARATION
MODELS 1402, 3402 AND 1702**

