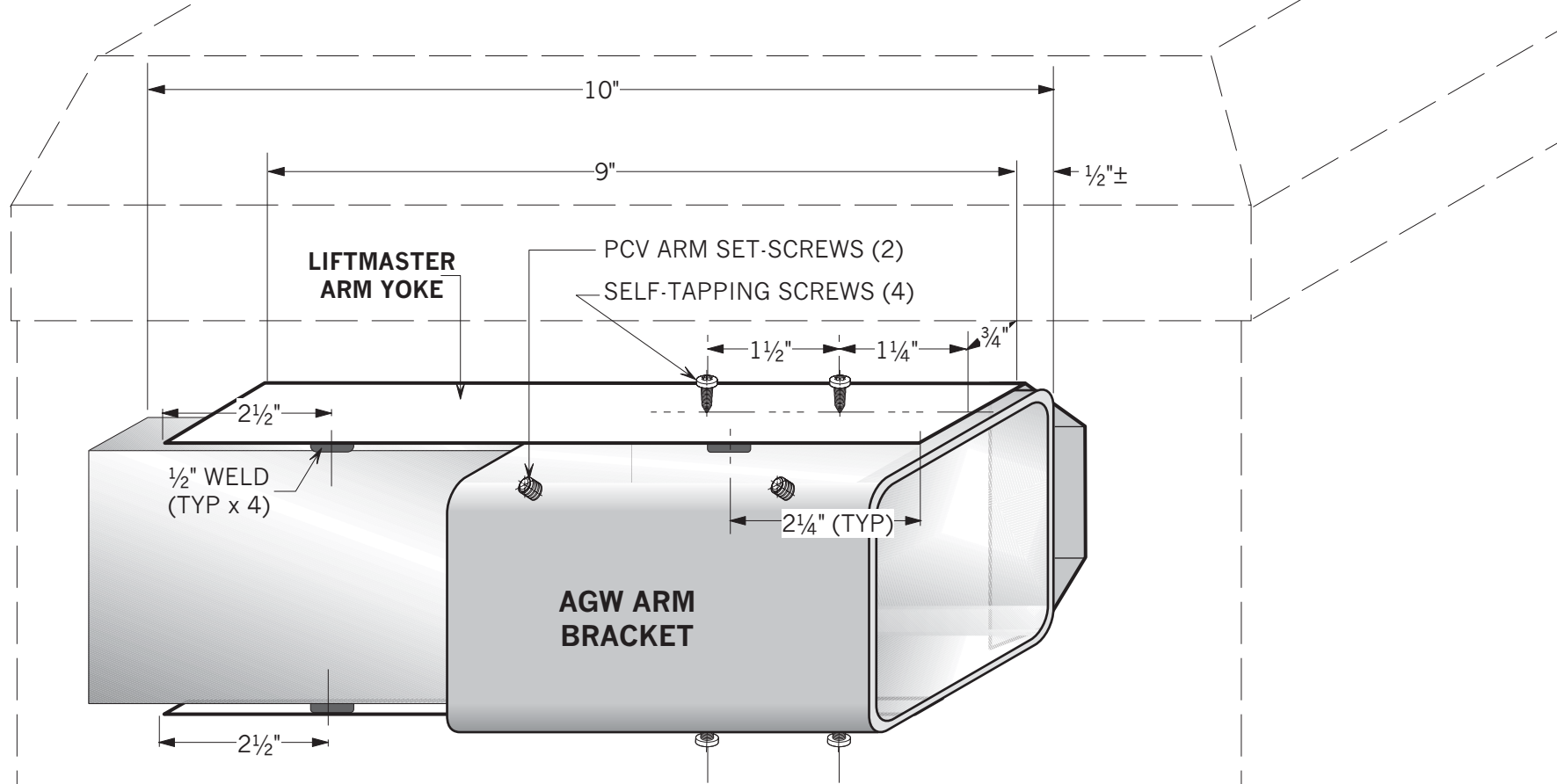


AGW ARM BRACKET MOUNTING FOR LIFTMASTER BARRIER ARM GATES



1. MAKE (4) 1/2" WELDS AS SHOWN:
ARM BRACKET TO ARM YOKE
2. DRILL 4 PILOT HOLES AND SET
4 SELF-TAPPING SCREWS AS SHOWN
3. INSERT PVC ARM INTO AGW BRACKET
AND TIGHTEN SET-SCREWS

AUTOMATIC GATE WHOLESALERS		
1-800-238-2301 ❖ 1744 Ackerman Drive • Lodi, California 95240 ❖ FAX 1-800-438-2301		
MOUNTING INSTRUCTIONS		PROJECT _____
		DWG. NO. _____
© COPYRIGHT 2007 AUTOMATIC GATE WHOLESALERS		