

SECURITRON EEB2, EEB3N EXIT BUTTON WITH INTEGRATED TIMER INSTALLATION AND OPERATING INSTRUCTIONS

1. DESCRIPTION

The model EEB2 is a spring loaded momentary 2" square, exit button, mounted on a stainless steel single gang outlet box cover. The model EEB3N is a spring loaded momentary rectangular exit button, mounted on a 1 3/4" stainless steel narrow stile plate. Both units incorporate a timer set for 30 seconds. The EEB2 and EEB3N have a **3 Amp** switching capacity. These units are **intended only for release of a magnetic lock** from the inside of a door. When the button is pressed, **the lock releases for 30 seconds**. If pressed again during the 30 second lock release period, the unit will "**retrigger**" starting a new 30 second lock release period. These buttons are specifically intended for installation on **access controlled egress doors** as described in the **BOCA** code. A motion detector, such as Securitron's model XMS, is the primary means of releasing a magnetic lock on the door. The button is employed as a backup means of releasing the lock in case of a problem with the motion detector. Pressing the button releases the lock for 30 seconds. Note that the exact time will vary with temperature but it will not be less than 30 seconds.

2. INSTALLATION

The **EEB2 comes with a retrofit backbox**, fasteners and color coded hookup wires installed. The backbox (Securitron part number 560-10200) includes an installation template. If a different box is used, be sure it is at least 2 1/2" deep to accommodate the switch. The EEB3N is intended for direct mounting on a narrow stile aluminum door frame. Accordingly, no backbox is supplied (fasteners only). The frame must be routed out sufficiently to accommodate the EEB3N components.

3. WIRING

The unit will operate on 12 VDC or 24 VDC. Full wave rectified DC (transformer + bridge rectifier) is acceptable. It draws **no current when at rest and 28 mA @ 12 V or 38 mA @ 24 V when releasing the lock**. It is most convenient to operate the unit on the same power supply that operates the magnetic lock. Note the black plastic box that is affixed to the rear of the mounting plate. This box houses the timing electronics. Identify a hole in the side of the box with a plastic jumper block partly protruding from it. **If the jumper is left in place, the unit will operate on 12 Volts. If removed, the unit will operate on 24 Volts. If the unit is operated on 24 volts with the jumper in place, it can be damaged.**

Four flying leads constitute the connection points for the unit. Two are for the application of constant power and two are for control of the magnetic lock. Figure 1 shows the color coded identification of the wires and a typical wiring diagram showing a power supply, motion detector, push button and Magnalock so as to comply with the BOCA code for access controlled egress doors.

There is a point to note about the internal design of the unit. Both the push button contacts and the internal timer relay contacts are in series with the white and green wires. This means that if, for any reason, the timer electronics failed, pressing the button would still cut power to the lock for as long as the button is held in. This is called "**double break**" wiring and it provides additional safety. To maintain this important feature, therefore, **the white and green wires do not constitute dry NC contacts**. To operate properly, they must only be connected as shown in Figure 1: The white wire goes to a source of +V and the green wire goes to the positive input wire of a magnetic lock. Note that another switching device such as a motion detector can be put between the white wire and the source of +V (as is shown in Figure 1). Figure 2 shows the internal schematic of the push button contacts and timer which helps clarify the unusual wiring method needed to maintain double break safety.

FIG 1: WIRE IDENTIFICATION AND TYPICAL HOOKUP

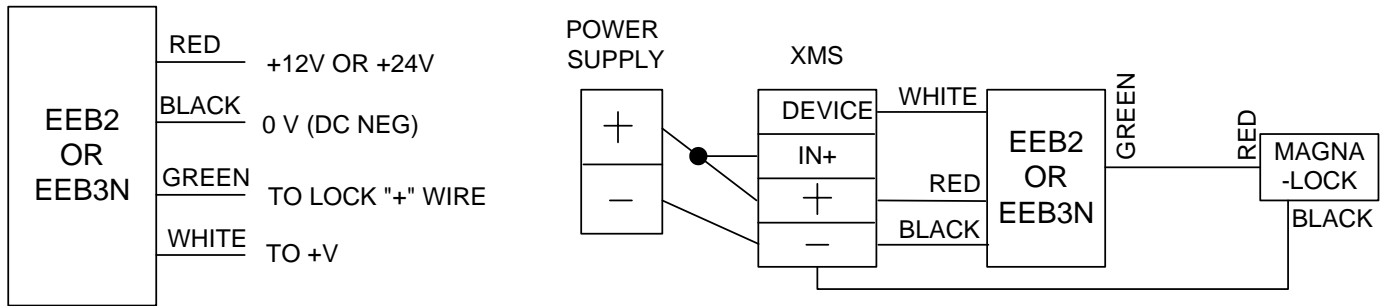
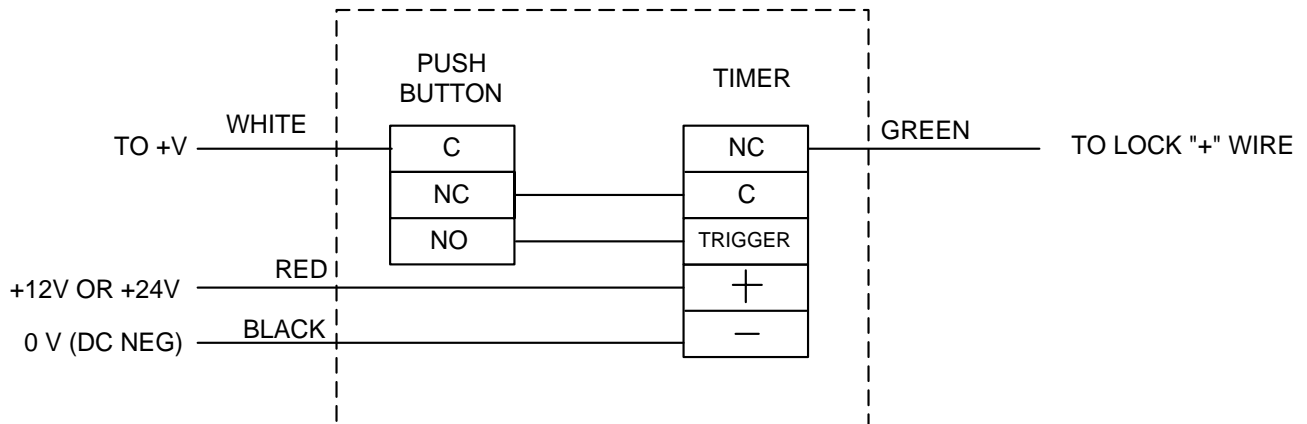


FIG 2: INTERNAL SCHEMATIC



MAGNACARE® LIMITED LIFETIME WARRANTY

SECURITRON MAGNALOCK CORPORATION warrants that it will replace at customer's request, at any time for any reason, products manufactured and branded by SECURITRON.

SECURITRON will use its best efforts to ship a replacement product by next day air freight at no cost to the customer within 24 hours of SECURITRON's receipt of the product from customer. If the customer has an account with SECURITRON or a valid credit card, the customer may order an advance replacement product, whereby SECURITRON will charge the customer's account for the price of the product plus next day air freight, and will credit back to the customer the full amount of the charge, including outbound freight, upon SECURITRON's receipt of the original product from the customer.

SECURITRON's sole and exclusive liability, and customer's sole remedy, is limited to the replacement of the SECURITRON product when delivered to SECURITRON's facility (freight and insurance charges prepaid by customer). The replacement, at SECURITRON's sole option, may be the identical item or a newer unit which serves as a functional replacement. In the event that the product type has become obsolete in SECURITRON's product line, this MAGNACARE warranty will not apply. This MAGNACARE warranty also does not apply to custom, built to order, or non-catalog items, items made by others (such as batteries), returns for payment, distributor stock reductions, returns seeking replacement with anything other than the identical product, or products installed outside of the United States or Canada. This MAGNACARE warranty also does not apply to removal or installation costs.

SECURITRON will not be liable to the purchaser, the customer or anyone else for incidental or consequential damages arising from any defect in, or malfunction of, its products. SECURITRON does not assume any responsibility for damage or injury to person or property due to improper care, storage, handling, abuse, misuse, or an act of God.

EXCEPT AS STATED ABOVE, SECURITRON MAKES NO WARRANTIES, EITHER EXPRESS OR IMPLIED, AS TO ANY MATTER WHATSOEVER, INCLUDING WITHOUT LIMITATION THE CONDITION OF ITS PRODUCTS, THEIR MERCHANTABILITY OR FITNESS FOR ANY PARTICULAR PURPOSE.